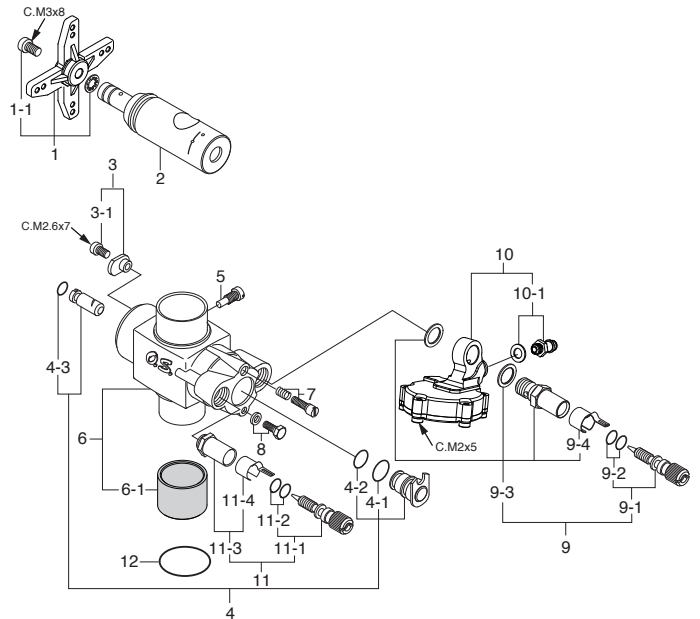
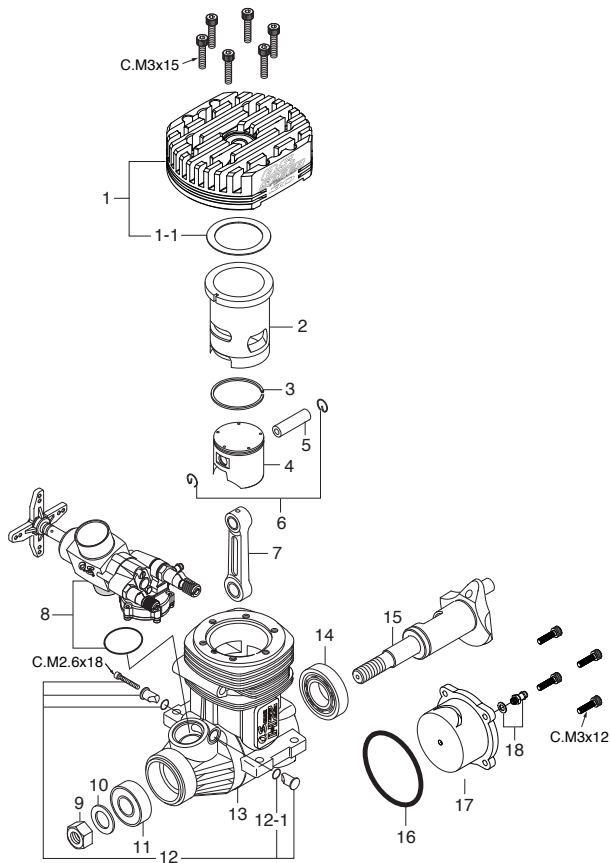


O.S. SPEED 91HZ-R 3D

(18642)

TYPE 61G

(29088040)



* Type of screw

C...Cap Screw M...Oval Fillister-Head Screw

F...Flat Head Screw N...Round Head Screw S...Set Screw

CAP SCREW SETS (10pcs./sets)

Code No.	Size	Pcs. used in an engine
79871055	M2.6x18	Retainer Screw (1pc.)
79871140	M3x12	Cover Plate Retaining Screw (4pcs.)
79871150	M3x15	Cylinder Head Retaining Screw (6pcs.)

No.	Code No.	Description
1	29074050	Heatsink Head
1-1	29061405	Head Gasket (0.1mm)
2	29073120	Cylinder Liner
3	29503400	Piston Ring
4	29073200	Piston
5	26606008	Piston Pin
6	27917000	Piston Pin Retainer (2pcs.)
7	29505010	Connecting Rod
8	29088040	Carburetor Complete 61G
9	45010002	Propeller Nut
10	46120000	Thrust Washer
11	26731002	Crankshaft Ball Bearing (Front)
12	29081720	Carburetor Retainer Assembly
12-1	45566310	"O" Ring
13	29071010	Crankcase
14	27930000	Crankshaft Ball Bearing (Rear)
15	29072010	Crankshaft
16	29061410	Piston Gasket
17	29067030	Cover Plate
18	22681953	Nipple (No.1)
	71608001	Glow Plug No.8
	72403070	Check Valve
	29061406	Head Gasket (0.2mm)

No.	Code No.	Description
1	29085140	Throttle Lever Assembly
1-1	79871110	Retaining Screw (10pcs.)
2	29088250	Carburetor Rotor
3	25881220	Rotor Guide Washer
3-1	79871020	Retaining Screw (10pcs.)
4	29088320	Mixture Control Valve Assembly
4-1	27881810	"O"Ring (L) (2pcs.)
4-2	27881800	"O"Ring (S) (2pcs.)
4-3	27881820	"O"Ring (L) (2pcs.)
5	45581820	Rotor Guide Screw
6	29088140	Carburetor Body
6-1	27984900	Thermo Insulator
7	27881330	Mixture Control Screw
8	27681340	Mixture Control Valve Stopper
9	29088900	Needle Valve Assembly (Main Needle)
9-1	29085910	Needle Assembly
9-2	24981837	"O"Ring (2pcs.)
9-3	29088940	Needle Valve Holder Assembly
9-4	26711305	Ratchet Spring
10	29088800	Reguretor Assembly
10-1	22681953	Fuel Inlet (Nipple No.1)
11	29088980	Needle Valve Assembly
11-1	29085910	Needle Assembly
11-2	24981837	"O"Ring (2pcs.)
11-3	27381940	Needle Valve Holder Assembly
11-4	26711305	Ratchet Spring
12	27915000	Carburetor Rubber Gasket